

SMP-Pump

- 1- Cast Iron Pump body
- 2- Stainless steel /Brass impeller
- 3- AISI 304 shaft
- 4- Max Liquid temperature: +60°C

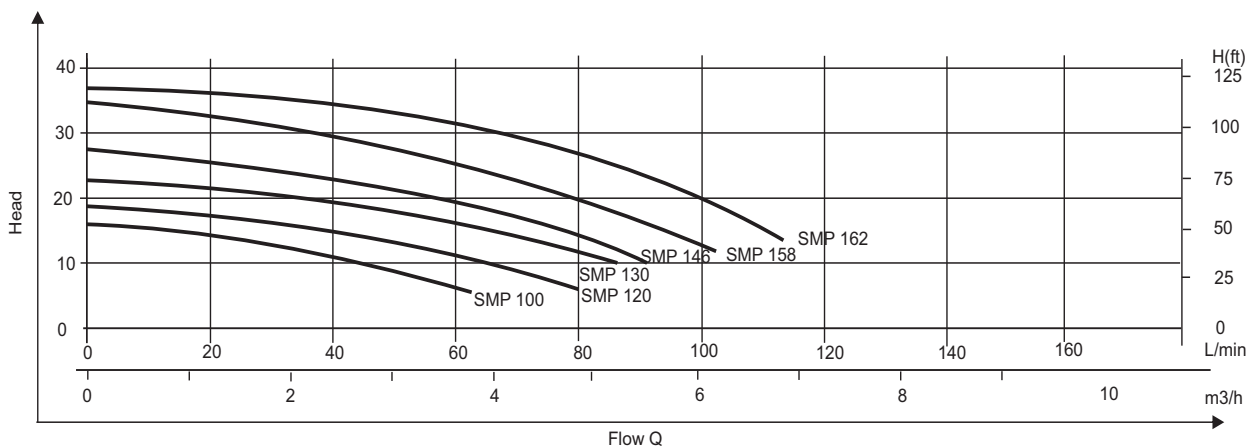
Electric Motor

- 1- C & U bearing
- 2- Motor with copper winding
- 3- Built-in thermal protector for single phase motor
- 4- Insulation class : B
- 5- Protection Class: IP44
- 6- Max ambient temperature: +40° C

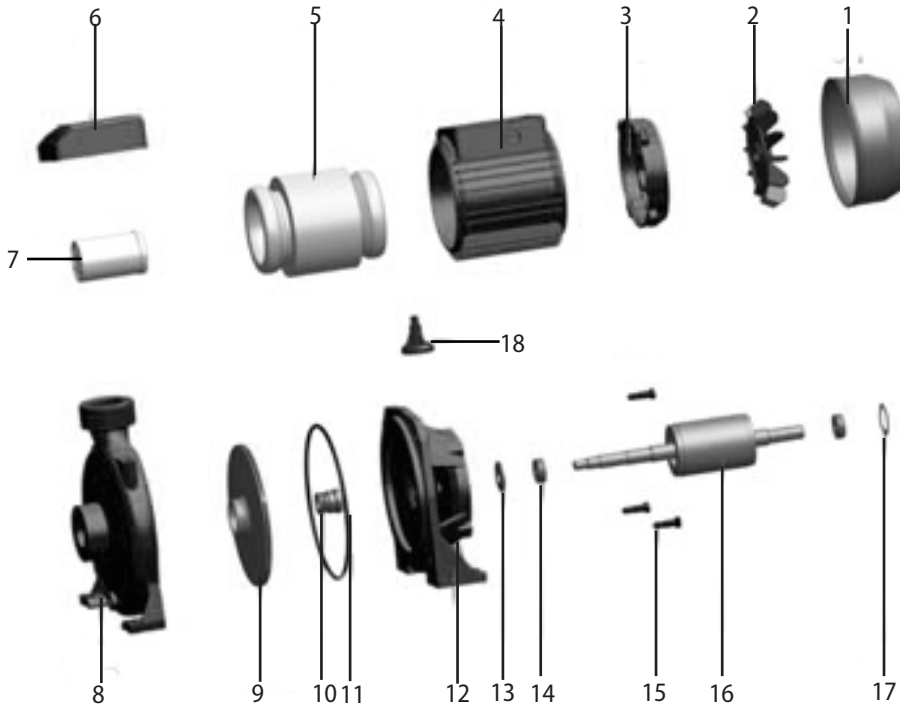
SPCO®
makes life easier



PUMP TYPE	POWER		INLET/OUTLET	MAX.FLOW L/min	MAX.HEAD m	G.W kg	PACKING DIMENSION mm	QTY set
	Kw	HP						
SMP 100	0.25	0.33	1"x1"	70	16	8.4	298x178x225	2260
SMP 120	0.3	0.4	1"x1"	80	19	8.8	298x178x225	2260
SMP 130	0.37	0.5	1"x1"	90	23	9.2	298x178x225	2260
SMP 146	0.60	0.8	1"x1"	90	28	12	335x213x274	1500
SMP 158	0.75	1	1"x1"	95	33	14	335x213x274	1500
SMP 162	0.92	1.2	1"x1"	110	36	14	370x205x275	1333



Structure



1	Fan Cover	10	Impeller
2	Fan	11	Mechanical seal
3	Rear end Cover	12	O-ring
4	Base	13	Pump support
5	Stator	14	Thrower
6	Capacitor Cover	15	Bearing
7	Capacitor	16	Rotor
8	Arm Brace	17	Hexagon headed bolt
9	Pump body	18	Wave Washer

SMP-Pump

SPCO®
makes life easier

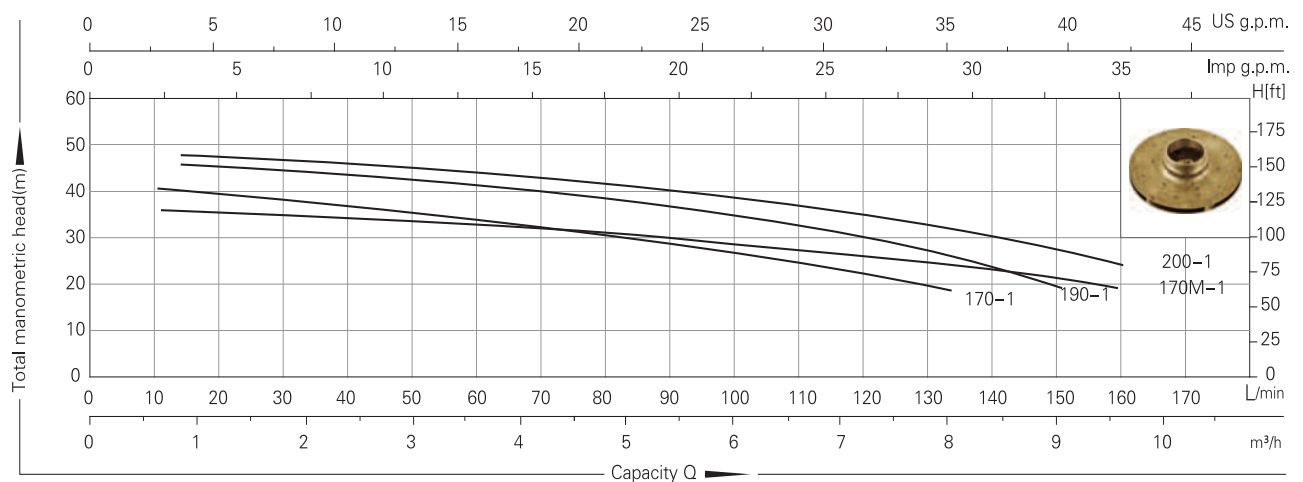
- 1- Cast Iron Pump body
- 2- Stainless steel /Brass impeller
- 3- AISI 304 shaft
- 4- Max Liquid temperature: +60°C

Electric Motor

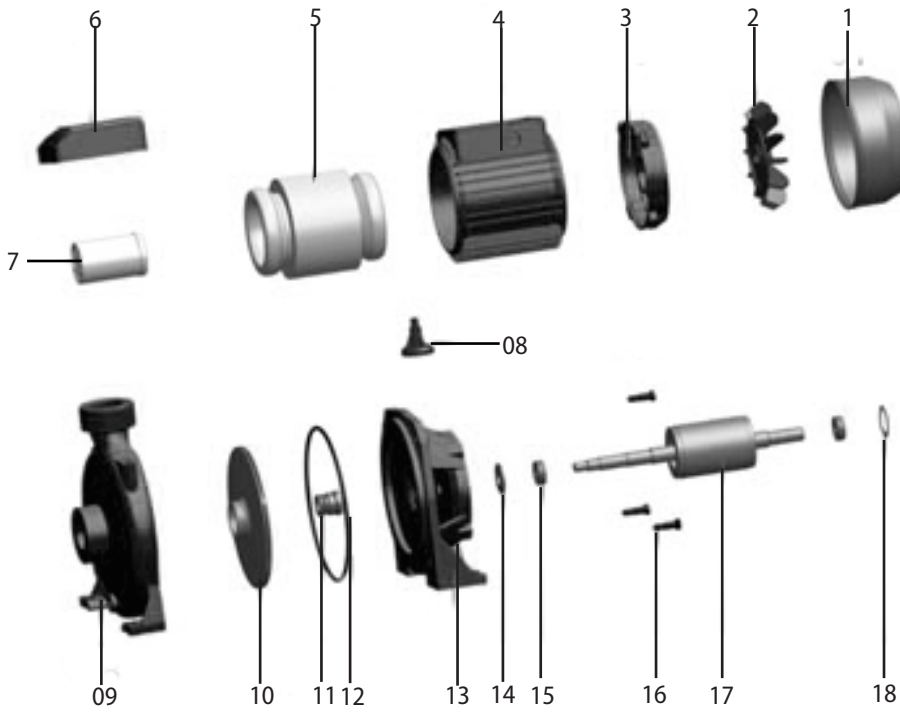
- 1- C & U bearing
- 2- Motor with copper winding
- 3- Built-in thermal protector for single phase motor
- 4- Insulation class : B
- 5- Protection Class: IP44
- 6- Max ambient temperature: +40° C



PUMP TYPE	POWER		INLET/OUTLET	MAX.FLOW	MAX.HEAD	G.W	PACKING DIMENSION	QTY
	Kw	HP						
SMP 170-1	1.10	1.5	1"x1"	130	41	20.1	375x225x267	1320
SMP 170M-1	1.1	1.5	1 1/4"x1"	170	36	22	375x225x267	1320
SMP 190-1	1.50	2	1 1/4"x1"	150	42	33.6	390x250x300	990
SMP 200-1	2.20	3.0	1 1/4"x1"	160	45	38	390x250x300	990



Structure



1	Fan Cover	10	Impeller
2	Fan	11	Mechanical seal
3	Rear end Cover	12	O-ring
4	Base	13	Pump support
5	Stator	14	Thrower
6	Capacitor Cover	15	Bearing
7	Capacitor	16	Rotor
8	Arm Brace	17	Hexagon headed bolt
9	Pump body	18	Wave Washer

MB-Pump

- 1- Cast Iron Pump body
- 2- Brass impeller
- 3- AISI 304 shaft
- 4- Max Liquid temperature: +40°C
- 5- Max suction: +8m



MB-B

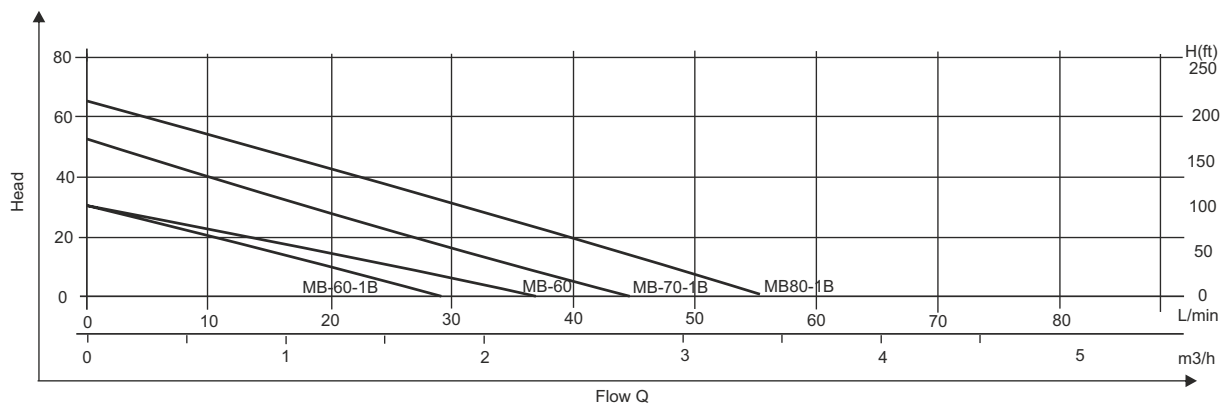


MB

Electric Motor

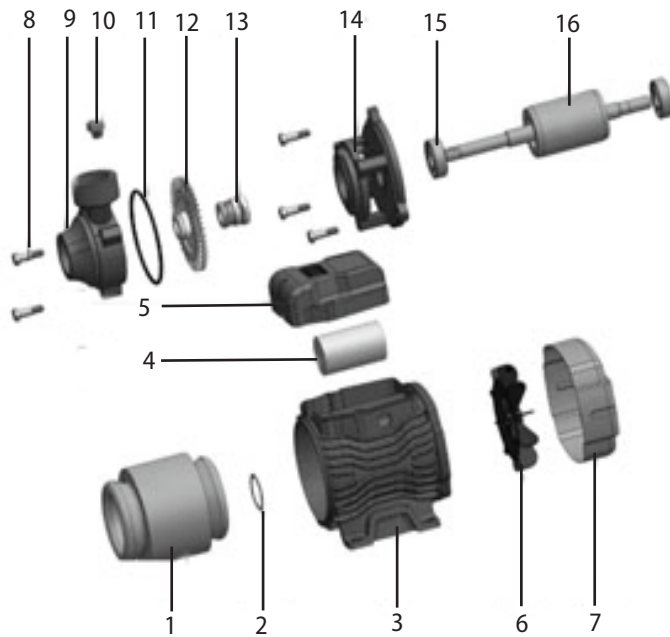
- 1- C & U bearing
- 2- Motor with copper winding
- 3- Built-in thermal protector for single phase motor
- 4- Insulation class : B
- 5- Protection Class: IP44
- 6- Max ambient temperature: +60° C

PUMP TYPE	POWER		INLET/OUTLET	MAX.FLOW L/min	MAX.HEAD m	G.W kg	PACKING DIMENSION mm	QTY set
	Kw	HP						
MB60-1B(100)	0.37	0.55	1"x1"	33	35	4.3	25.7x14.5x17.2	4024
MB60	0.37	0.55	1"x1"	35	35	6	283x152x174	3300
MB70-1B	0.55	0.75	1"x1"	45	55	8	30.5x17x19.2	2950
MB80-1B	0.75	1	1"x1"	55	65	9.2	30.5x17x19.2	2950



• All technical information are subject to change without further notice.

Structure



NO.	NAME	NO.	NAME
1	Stator	9	Pump Casting
2	Wave Washer	10	Brass Screw
3	Base	11	O Ring
4	Capacitor	12	Impeller
5	Capacitor Cover	13	Mechanical Seal
6	Fan	14	Pump Support
7	Fan Cover	15	Bearing
8	Hexagon head bolt	16	Rotor

• All technical information are subject to change without further notice.